

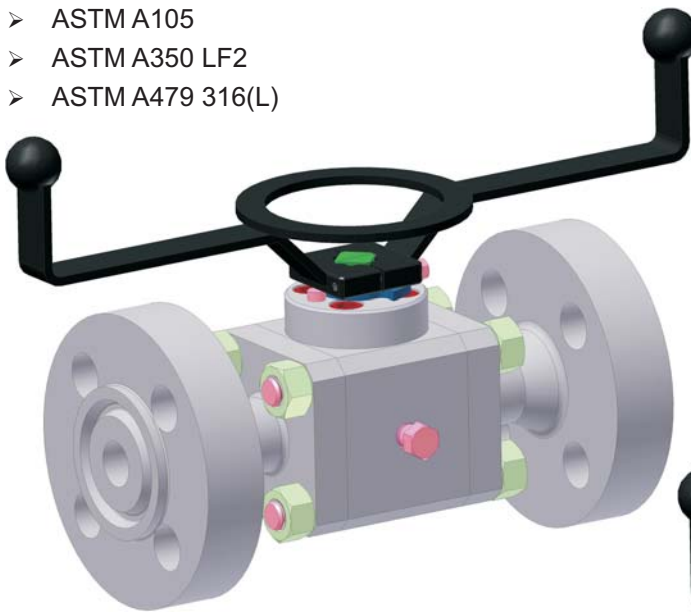
GOK type ball valve

Dimension range	NPS 1/2" - 1 1/2"
Pressure range	Class 1500 - 2500
Temperature range	- 60°C - +150°C

Ball valve, with the ball is trunnion mounted with bearing, for small sizes and high pressures. The seat rings disc spring loaded, resulting high closure safety even in low pressure. The ball is nickel or hard chromium plated. The ball valve on demand can be delivered with actuator.

Materials:

- ASTM A105
- ASTM A350 LF2
- ASTM A479 316(L)

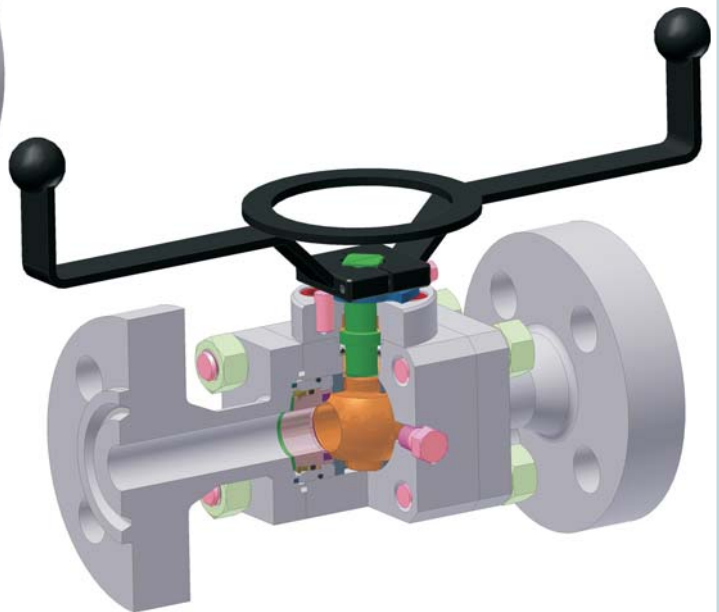


Main features:

- Trunnion mounted ball
- Three-piece body
- Spring loaded seat
- Flanged, threaded, or butt welded ends

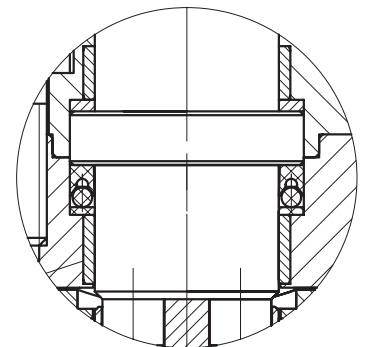
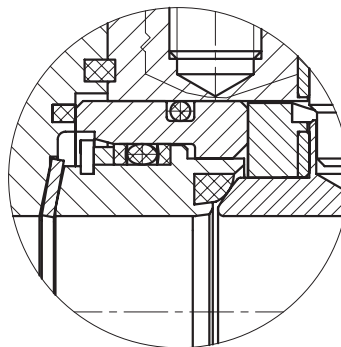
Design possibilities:

- Electric motor operation
- Pneumatic operation



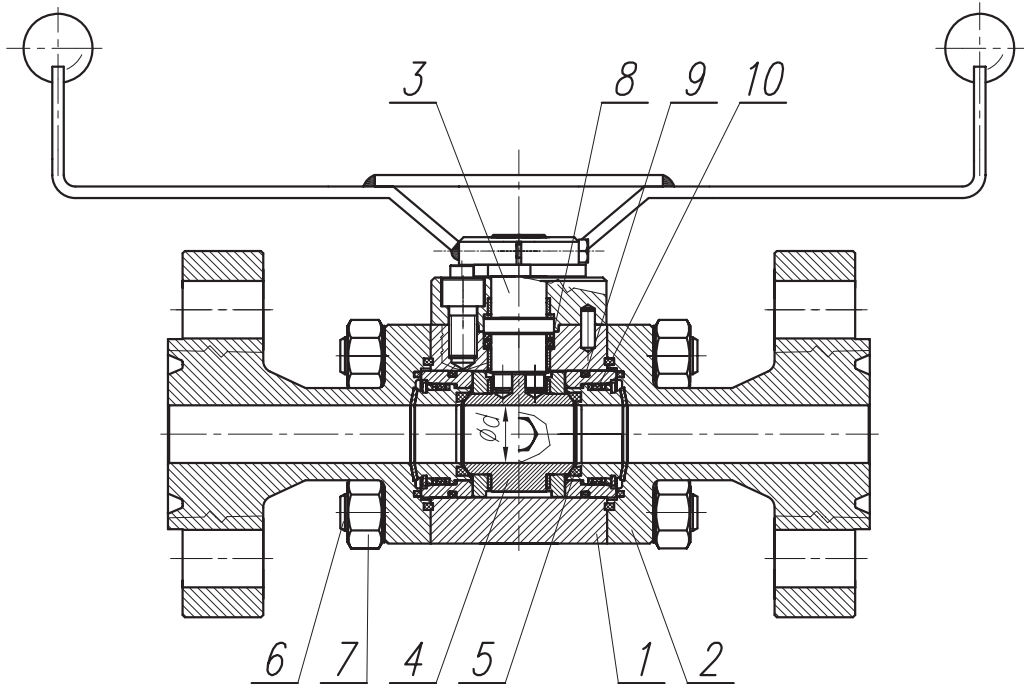
Design standards:

- Face to face length: ASME B16.10
- Butt welded type: ASME B16.25; EN 12627
- Threaded type: ASME B1.20.1 NPT
- Flanged type: ASME B16.5; EN 1092-1; GOST 12815; GOST 12821
- Pressure test: API 598; EN 12266-1
- NACE design: NACE MR0175 / ISO 15156



List of the main components

GOK type ball valve

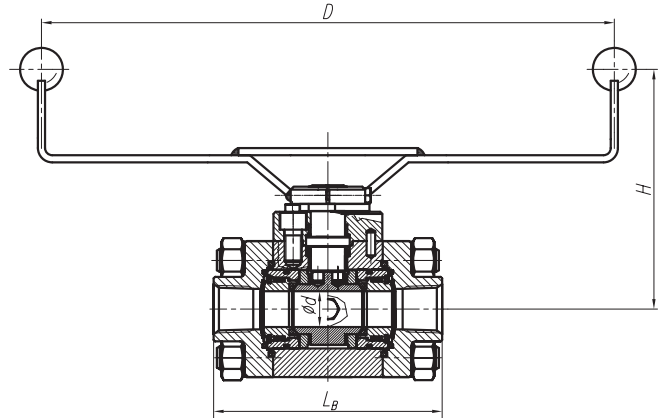
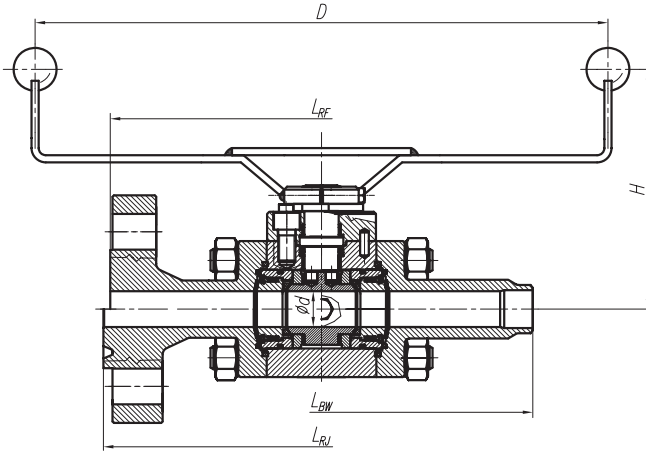


N°	Description	Standard design		NACE design	Corrosion-resistant design
		T= -29°C ~ +150°C	T= -46°C ~ +150°C	T= -46°C ~ +120°C	T= -60°C ~ +150°C
1	Body	ASTM A105	ASTM A350 LF2	ASTM A350 LF2	ASTM A479 316(L)
2	Flanged connections	ASTM A105	ASTM A350 LF2	ASTM A350 LF2	ASTM A479 316(L)
3	Driving stem	ASTM A276 410	ASTM A276 410	ASTM A564 630	ASTM A564 630
4	Ball	ASTM A105+ENP ASTM A276 316(L)(+ENP)	ASTM A350 LF2+ENP ASTM A276 316(L)(+ENP)	ASTM A350 LF2+ENP ASTM A276 316(L)(+ENP)	ASTM A276 316(L) (+ENP)
5	Gasket ring	PTFE DEVLON-V PEEK	PTFE DEVLON-V PEEK	PTFE DEVLON-V PEEK	PTFE DEVLON-V PEEK
6	Stud bolt	ASTM A320 L7M	ASTM A320 L7M	ASTM A320 L7M	ASTM A193 B8M Cl.2
7	Nut	ASTM A194 2HM	ASTM A194 2HM	ASTM A194 2HM	ASTM A194 8M
8; 9; 10	"O"-ring	VITON	VITON GLT	VITON GLT	VITON FVMQ

- ENP = Electroless Nickel Plating.
- Materials for other mediums and temperature ranges according to purchase order.
- The material of "O" -rings depends on the medium.

Chart of dimensions

GOK type ball valve ANSI



CLASS 1500; CLASS 2500

NPS	d (mm)	L_{RF}^* (mm)	L_{RJ}^* (mm)	L_{BW}^* (mm)	L_B (mm)	H (mm)	D (mm)
1/2"	13	264	264	264	138	100	240
3/4"	19	273	273	273	138	100	300
1"	25	308	308	308	160	155	400
1 1/2"	40	384	387	384	215	165	500

* CLASS 2500 face to face length