

## KFSZ type needle valve

Dimension range	1/2"
Pressure range	0 - 10000 psi
Temperature range	- 60°C - +150°C

The KFSZ type needle valve stainless steel design made for up to 10000 psi (690 bar) nominal pressure. Long life is ensured by the non-rotating, self-centering tip and the male thread, which is out of contact with the medium located over the stuffing box and the plastic stem guard. Depending on the order the needle valve can be manufactured with connecting threads of NPT 1/2" outside or inside, and also M20x1,5 inside. The valve body can be blow off by the vent plug located on its bottom. The needle valve can be built in the streamline of the pipeline in the direction of the arrow located on the valve body.

### Materials:

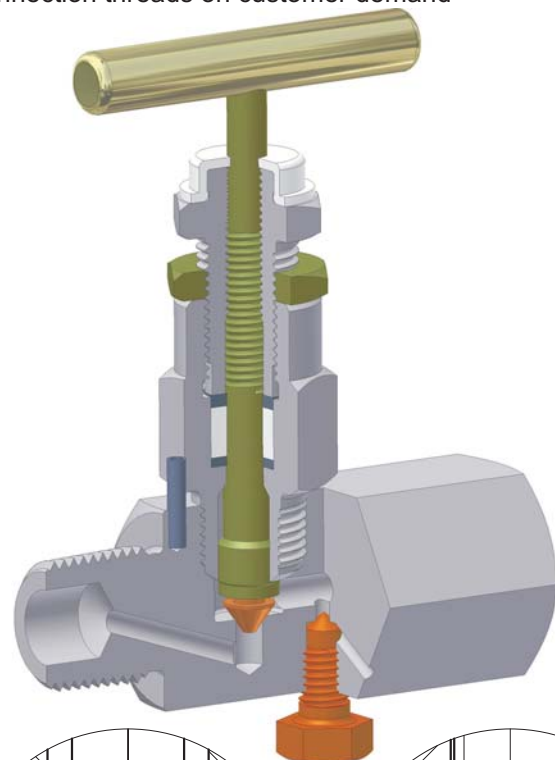
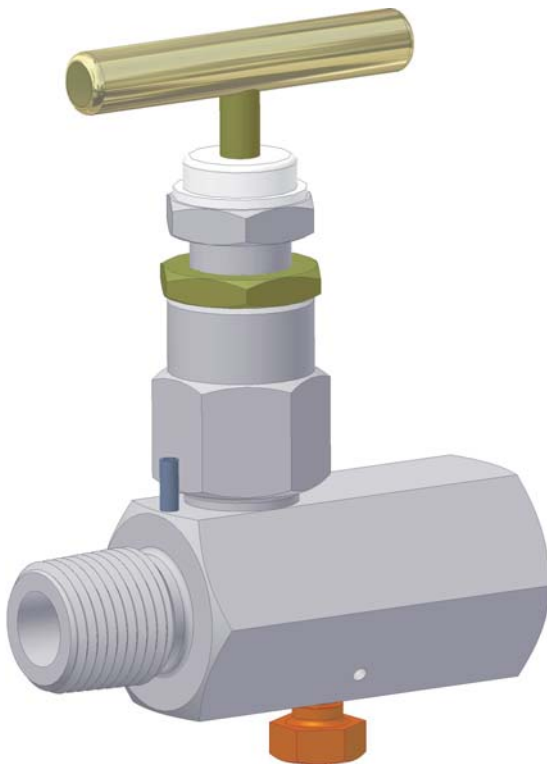
- ASTM A479 316(L)

### Main features:

- Stainless steel design
- Vent plug for body pressure relief
- NPT 1/2" or M20x1,5 connecting threads
- Self-centering tip, closing on conical surface

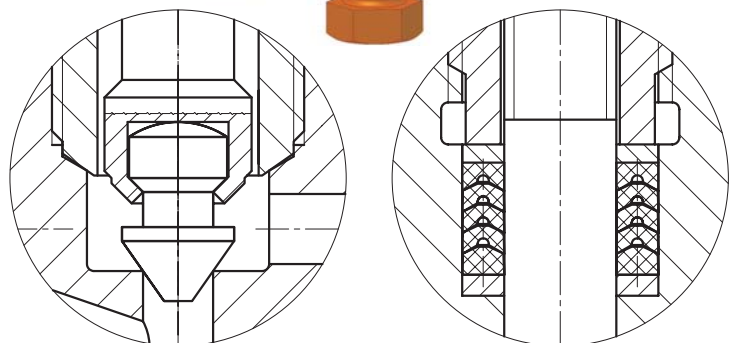
### Design possibilities:

- Connection threads on customer demand



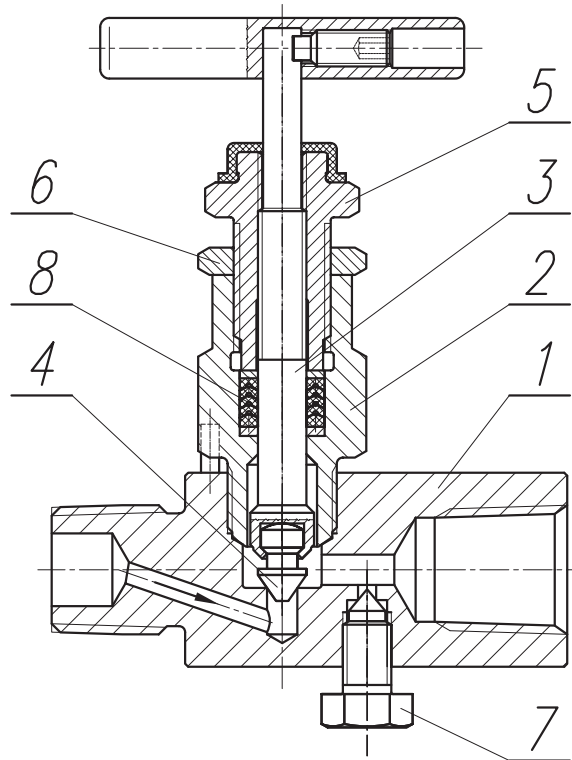
### Design standards:

- Threaded type: ASME B1.20.1 NPT; ISO 965
- Pressure test: API 598; EN 12266-1
- NACE design: NACE MR0175 / ISO 15156



## List of the main components

### KFSZ type needle valve



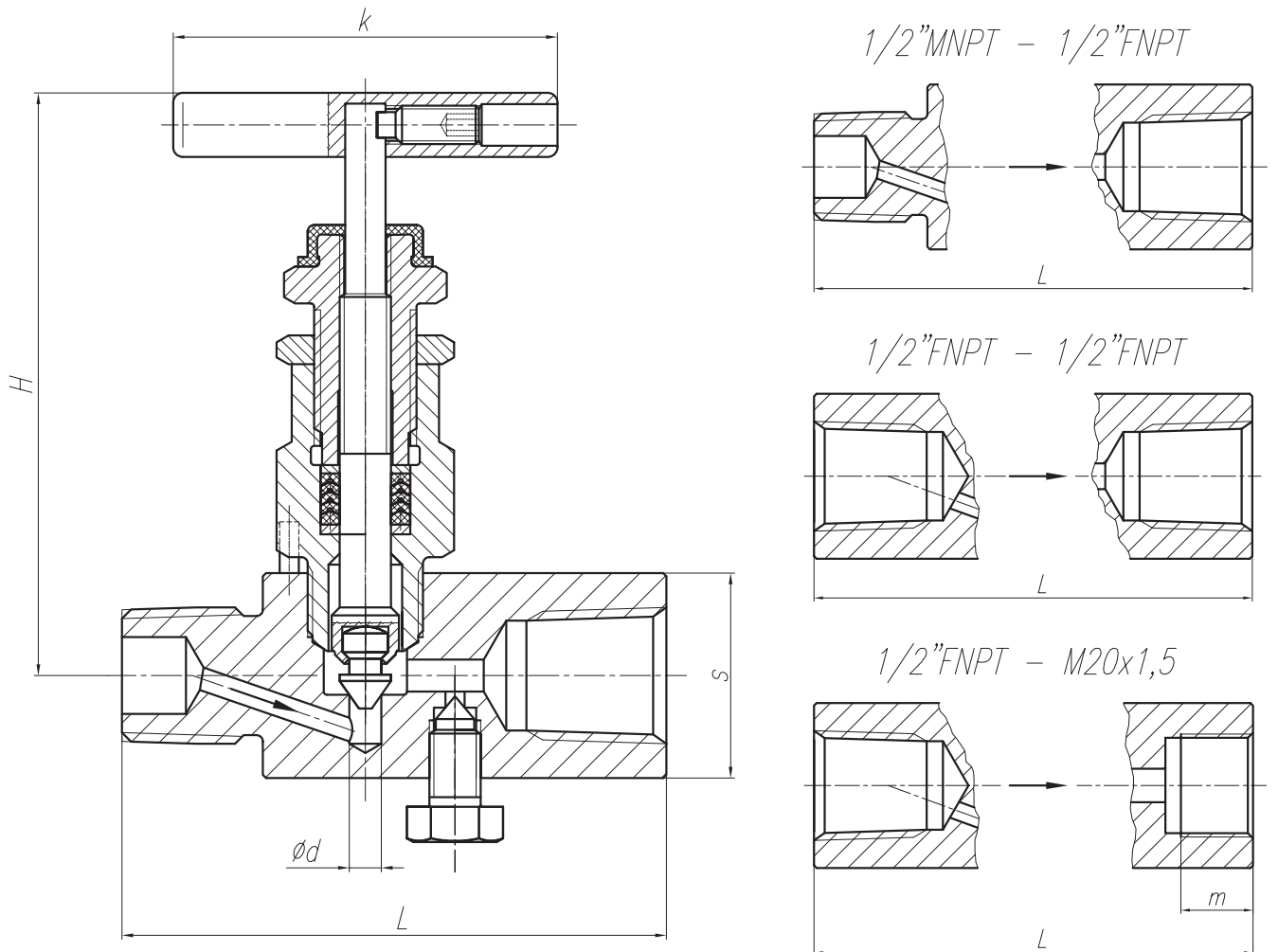
KFSZ

N°	Description	NACE, Corrosion-resistant design
		T= -60°C ~ +150°C
1	Body	ASTM A479 316(L)
2	Gasket cage	ASTM A479 316(L)
3	Valve stem	ASTM A276 316(L)
4	Valve head	ASTM A564 630
5	Gland bolt	ASTM A276 316(L)
6	Counternut	ASTM A276 316(L)
7	Bleeder screw	ASTM A276 316(L)
8	Gland packing	Grafit / PTFE

- For other mediums, orders on material quality is based on temperature.

# Chart of dimensions

## KFSZ type needle valve



### 6000 psi (414 bar)

NPS	Connection	Ød (mm)	L (mm)	H (mm)	k (mm)	s (mm)	m (mm)
1/2"	MNPT 1/2" FNPT 1/2" M 20x1,5	5	85	91	60	32	14

### 10000 psi (690 bar)

NPS	Connection	Ød (mm)	L (mm)	H (mm)	k (mm)	s (mm)
1/2"	MNPT 1/2" FNPT 1/2"	4	94	89	60	41

KFSZ