

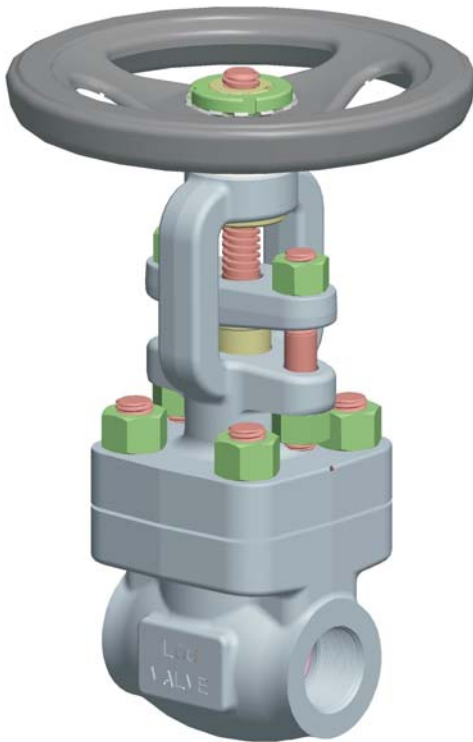
LCT type wedge gate valve

Dimension range	DN 10 - 50 / NPS 3/8" - 2"
Pressure range	PN 16 - 400 / CLASS 150 - 2500
Temperature range	- 60°C - +550°C

This forged body gate valve is manufactured according to API 602 Standard, with up to 50 mm nominal size, for wide pressure-, and temperature range. The design is of rising stem with non-rising handwheel. The seat rings pressed into the body and the gate is welded with Stellite 6 for the purposes of excellent wearing resistance. The packing of the stuffing box is graphite (or Teflon) rings, which can be replaced during operation as well in the uppermost position of the stem. The sealing of the bonnet is highly flexible spiral wound gasket. For higher pressures the sealing is made of stainless steel ring.

Materials:

- ASTM A105
- ASTM A350 LF2
- ASTM A182 F11
- ASTM A182 F316(L)

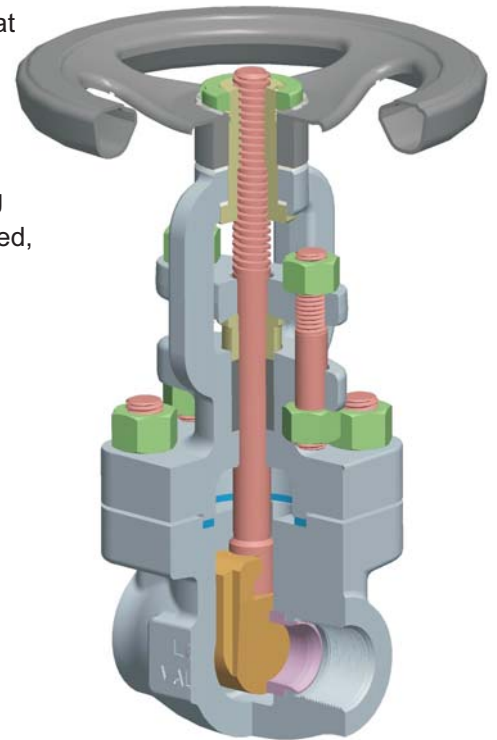


Main features:

- Full bore
- Bolted bonnet
- Solid wedge and pressed seat rings
- Rising stem design with non-rising hand wheel
- Backseat ensured
- Stem nut with double bearing
- Flanged, threaded, butt welded, or socket welded ends

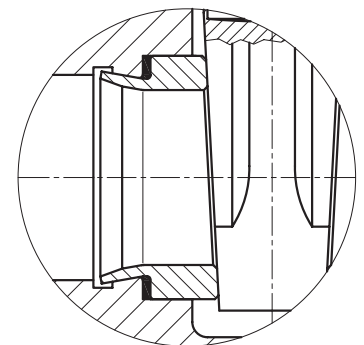
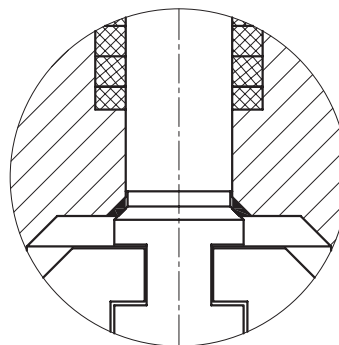
Design possibilities:

- Electric motor operation
- Pneumatic operation



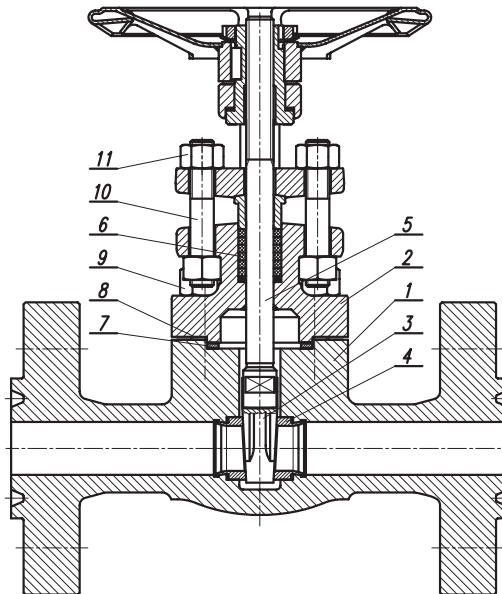
Design standards:

- Construction: API 602 / ISO 15761
- Face to face length: ASME B16.10; EN 558
- Socket welded type: ASME B16.11; DIN 3239
- Butt welded type: ASME B16.25; EN 12627
- Threaded type: ASME B1.20.1; NPT
- Flanged type: ASME B16.5; EN 1092-1;
- GOST 12815; GOST 12821
- Pressure test: API 602; EN 12266-1



List of the main components

LCT type wedge gate valve



N°	Description	Standard design			NACE design	Corrosion-resistant design
		T= -29°C ~ +427°C	T= -46°C ~ +343°C	T= -20°C ~ +550°C	T= -46°C ~ +343°C	T= -60°C ~ +427°C
1	Body	ASTM A105	ASTM A350 LF2	ASTM A182 F11	ASTM A350 LF2	ASTM A182 F316(L)
2	Bonnet	ASTM A105	ASTM A350 LF2	ASTM A182 F11	ASTM A350 LF2	ASTM A182 F316(L)
3	Wedge	ASTM A276 410 (+HF)	ASTM A276 410 (+HF)	ASTM A276 410 (+HF)	ASTM A182 F6NM (+HF)	ASTM A276 316(L) (+HF)
4	Seat ring	ASTM A276 410 (+HF)	ASTM A276 410 (+HF)	ASTM A276 410 (+HF)	ASTM A182 F6NM (+HF)	ASTM A276 316(L) (+HF)
5	Stem	ASTM A276 410	ASTM A276 410	ASTM A276 410	ASTM A182 F6NM	ASTM A276 316(L)
6	Gland packing	Grafit	Grafit	Grafit	Grafit	Grafit
7	Body-bonnet packing	Spiral Wound 316L+Grafit	Spiral Wound 316L+Grafit	Spiral Wound 316L+Grafit	ASTM A276 316L	Spiral Wound 316L+Grafit
8; 10	Stud bolt	ASTM A193 B7	ASTM A320 L7	ASTM A193 B16	ASTM A320 L7M	ASTM A193 B8M Cl.2
9; 11	Nut	ASTM A194 2H	ASTM A194 Gr.4	ASTM A194 8M	ASTM A194 2HM	ASTM A194 8M

- HF = Stellite 6 welding-on (min. 350 HB)
- For other mediums, orders on material quality is based on temperature.

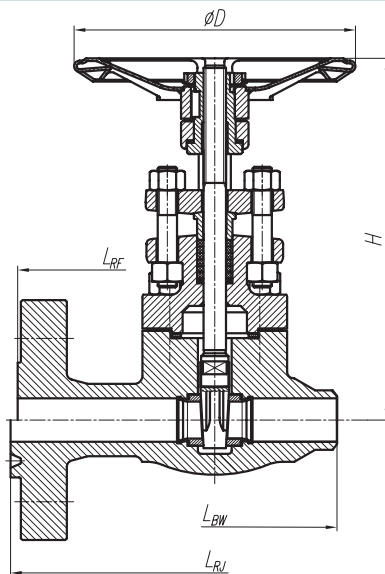
Optional TRIM material combinations:

Trim number (API 602)	Sealing surface of wedge	Sealing surface of seat ring	Stem material
1	410	410	410
5	Stellite 6	Stellite 6	410
8	410	Stellite 6	410
10	316	316	316
12	316	Stellite 6	316
16	Stellite 6	Stellite 6	316

LCT

Chart of dimensions

LCT type wedge gate valve
ANSI



CLASS 150

NPS	L _{RF} * (mm)	L _{RJ} * (mm)	L _{BW} (mm)	ØD (mm)	H (mm)
1/2"	140	---	105	100	179
3/4"	152	---	120	100	210
1"	165	178	130	125	217
1 1/4"	178	191	140	125	238
1 1/2"	190	203	165	150	280
2"	216	232	190	150	327

* CLASS 300 face to face length

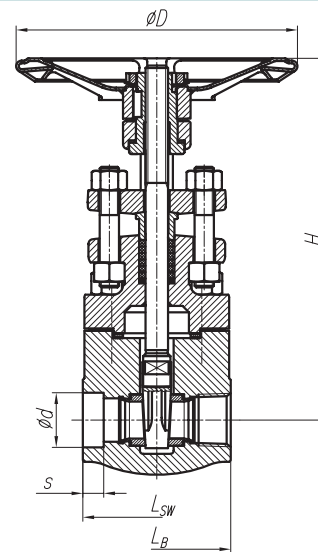
CLASS 600

NPS	L _{RF} (mm)	L _{RJ} (mm)	L _{BW} (mm)	ØD (mm)	H (mm)
1/2"	165	163	105	100	182
3/4"	190	190	120	125	220
1"	216	216	130	150	225
1 1/4"	229	229	140	150	268
1 1/2"	241	241	165	200	292
2"	292	295	190	250	340

CLASS 2500**

NPS	L _{RF} (mm)	L _{RJ} (mm)	L _{BW} (mm)	ØD (mm)	H (mm)
1/2"	264	264	150	150	275
3/4"	273	273	165	200	319
1"	308	308	175	250	338
1 1/4"	349	352	195	250	391
1 1/2"	384	387	230	300	431
2"	451	454	265	350	510

**with ring-joint body-bonnet packing



CLASS 300

NPS	L _{RF} (mm)	L _{RJ} (mm)	L _{BW} (mm)	ØD (mm)	H (mm)
1/2"	140	151	105	100	179
3/4"	152	165	120	125	210
1"	165	178	130	125	217
1 1/4"	178	191	140	150	238
1 1/2"	190	203	165	150	280
2"	216	232	190	190	327

CLASS 900; CLASS 1500

NPS	L _{RF} (mm)	L _{RJ} (mm)	L _{BW} (mm)	ØD (mm)	H (mm)
1/2"	216	216	105	125	182
3/4"	229	229	120	150	220
1"	254	254	130	175	225
1 1/4"	279	279	140	200	268
1 1/2"	305	305	165	250	292
2"	368	371	190	250	340

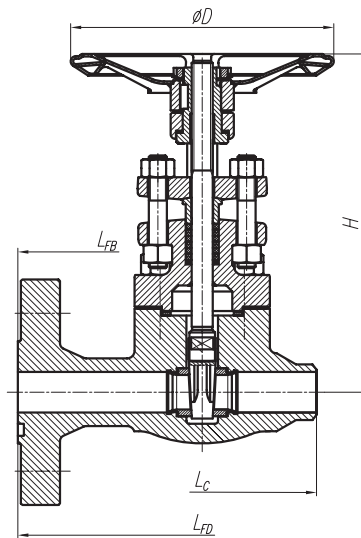
CLASS 800; CLASS 1500; CLASS 2500**

NPS	L _{SW} ; L _B (mm)		Ød (mm)	S _{min} (mm)	ØD (mm)		H (mm)	
	800 1500	2500			800 1500	2500	800 1500	2500
3/8"	80	105	17,6	10	100	125	182	260
1/2"	85	110	21,8	10	125	150	182	275
3/4"	100	130	27,2	13	150	200	220	319
1"	115	150	33,9	13	175	250	225	338
1 1/4"	130	170	42,7	13	200	250	268	391
1 1/2"	150	195	48,8	13	250	300	292	431
2"	180	235	61,2	16	250	350	340	510

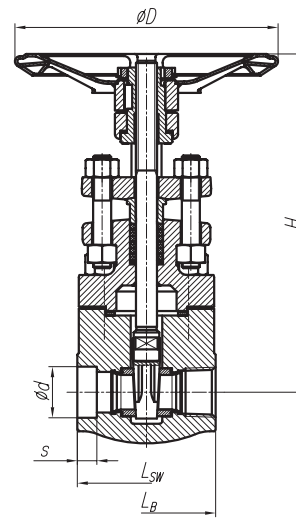
LCT

Chart of dimensions

LCT type wedge gate valve EN


PN 16; PN 25; PN 40

DN	L _{FB} ; L _{FD} (mm)	L _c (mm)	L _{sw} ; L _B (mm)	Ø _d (mm)	S _{min} (mm)	ØD (mm)	H (mm)
10	130	---	80	17,6	10	100	186
15	130	105	85	21,8	10	100	186
20	150	120	100	27,2	13	100	218
25	160	130	115	33,9	13	125	225
32	180	140	130	42,7	13	125	248
40	200	165	150	48,8	13	150	291
50	230	190	180	61,2	16	150	340


PN 63

DN	L _{FB} ; L _{FD} (mm)	L _c (mm)	L _{sw} ; L _B (mm)	Ø _d (mm)	S _{min} (mm)	ØD (mm)	H (mm)
10	210	---	80	17,6	10	100	186
15	210	105	85	21,8	10	100	186
20	230	120	100	27,2	13	125	218
25	230	130	115	33,9	13	125	225
32	260	140	130	42,7	13	150	248
40	260	165	150	48,8	13	150	291
50	300	190	180	61,2	16	200	340

PN 100; PN 160

DN	L _{FB} ; L _{FD} (mm)	L _c (mm)	L _{sw} ; L _B (mm)	Ø _d (mm)	S _{min} (mm)	ØD (mm)	H (mm)
10	210	---	80	17,6	10	100	189
15	210	105	85	21,8	10	100	189
20	230	120	100	27,2	13	125	228
25	230	130	115	33,9	13	150	234
32	260	140	130	42,7	13	150	278
40	260	165	150	48,8	13	200	304
50	300	190	180	61,2	16	250	354

PN 250

DN	L _{FB} ; L _{FD} (mm)	L _c (mm)	L _{sw} ; L _B (mm)	Ø _d (mm)	S _{min} (mm)	ØD (mm)	H (mm)
10	230	---	80	17,6	10	100	189
15	230	105	85	21,8	10	125	189
20	---	120	100	27,2	13	150	228
25	260	130	115	33,9	13	175	234
32	---	140	130	42,7	13	200	278
40	300	165	150	48,8	13	250	304
50	350	190	180	61,2	16	250	354

PN 320; PN 400

DN	L _{FB} ; L _{FD} (mm)	L _c (mm)	L _{sw} ; L _B (mm)	Ø _d (mm)	S _{min} (mm)	ØD (mm)	H (mm)
10	230	---	105	17,6	10	125	270
15	230	150	110	21,8	10	150	286
20	---	165	130	27,2	13	200	332
25	260	175	150	33,9	13	250	352
32	---	195	170	42,7	13	250	406
40	300	230	195	48,8	13	300	448
50	350	265	235	61,2	16	350	530

LCT