

# LM-1 type manometer needle valve

Dimension range	DN 15
Pressure range	PN 40 - 350
Temperature range	- 60°C - +150°C

The LM-1 type manometer needle valve makes possible the connection of the manometers to pipelines. The valve body is a four way cock, and can be manufactured with NPT 1/2" or M20x1,5 connecting threads depending to the order. The valve body can be blown off to provide easy installation or dismantling under pressure as well. The manometer needle valve can be built in the streamline of the pipeline in the direction of the arrow located on the

### Materials:

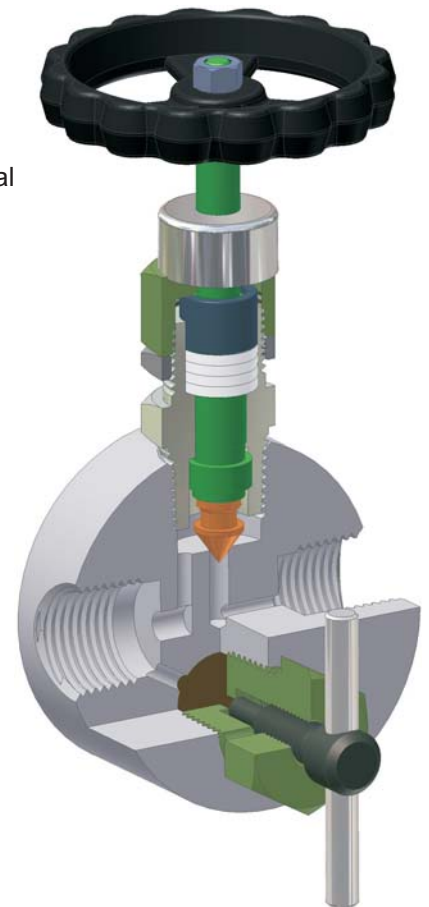
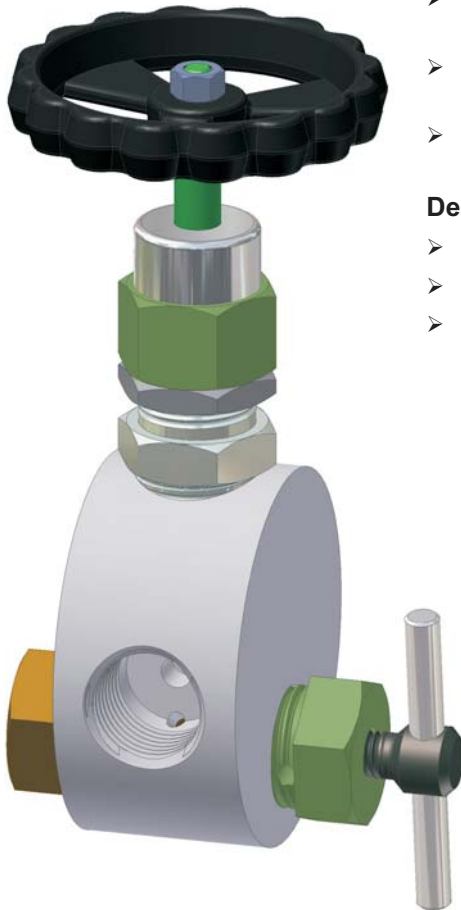
- ASTM A350 LF2
- ASTM A479 316(L)

### Main features:

- Four-way valve body
- Went plug for body pressure relief
- NPT 1/2" or M20x1,5 connecting threads
- Self-centering tip, closing on conical surface
- Weld on valve seat

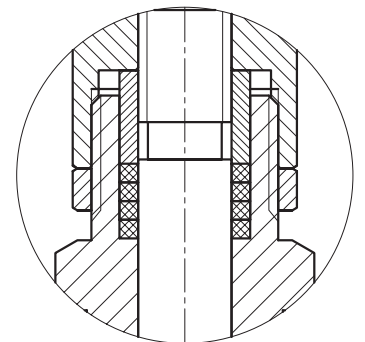
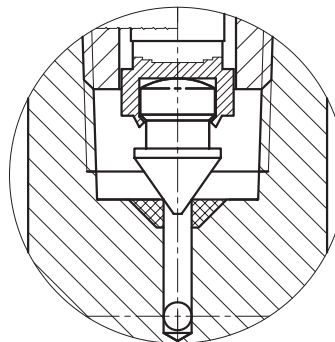
### Design possibilities:

- Handlever design
- Handwheel design
- Connecting threads on customer demand



### Design standards:

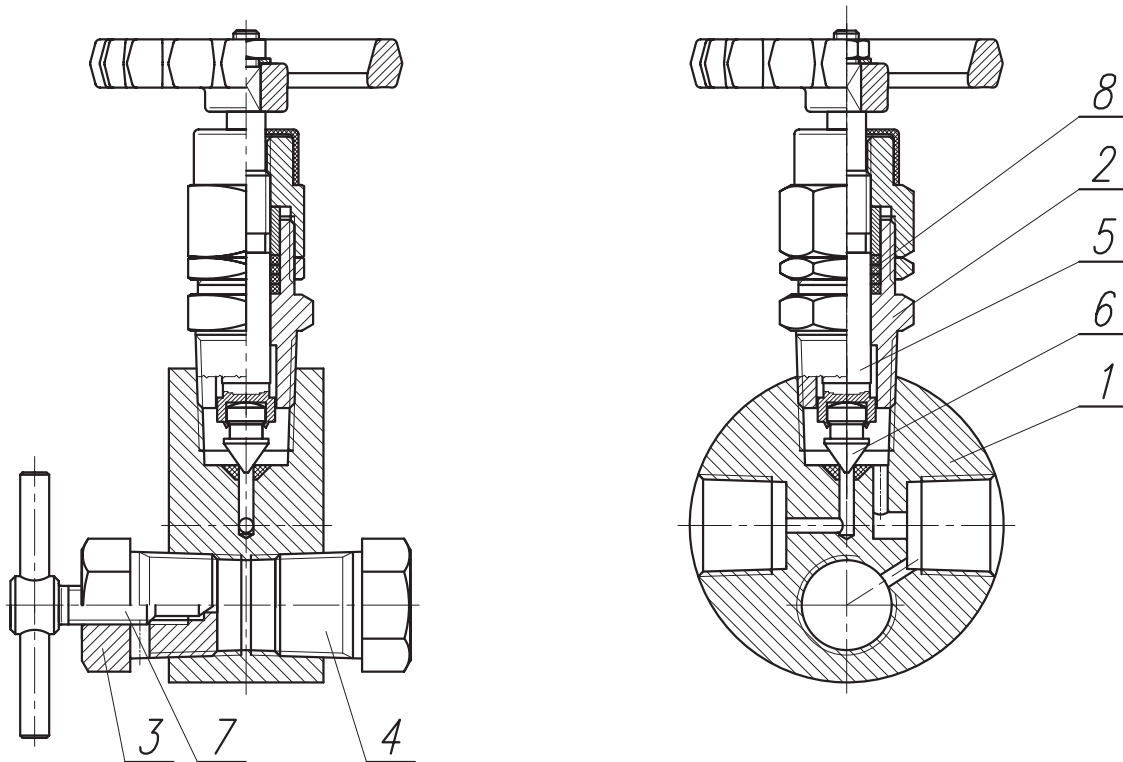
- Threaded type: ASME B1.20.1 NPT; ISO 965
- Pressure test: API 598; EN 12266-1
- NACE design: NACE MR0175 / ISO 15156



LM-1

## List of the main components

### LM-1 type manometer needle valve



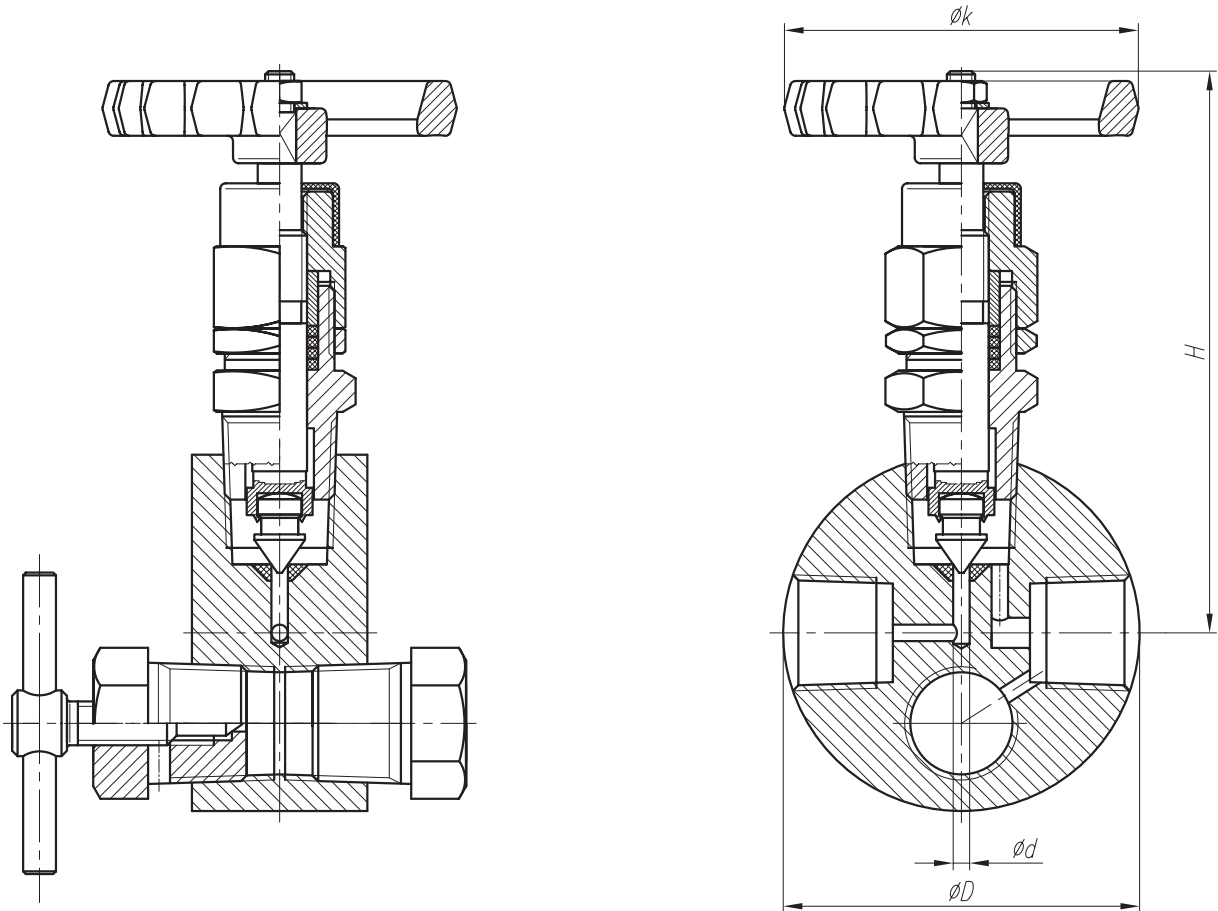
LM-1

N°	Description	Standard design	NACE design	Corrosion-resistant design
		T= -46°C ~ +150°C	T= -46°C ~ +150°C	T= -60°C ~ +150°C
1	Body	ASTM A350 LF2+13Cr	ASTM A350 LF2+13Cr	ASTM A479 316(L)
2	Gasket house	ASTM A350 LF2	ASTM A350 LF2	ASTM A479 316(L)
3	Bleeder body	ASTM A350 LF2	ASTM A350 LF2	ASTM A479 316(L)
4	Closing screw	ASTM A350 LF2	ASTM A350 LF2	ASTM A276 316(L)
5	Stem	ASTM A276 410	ASTM A182 F6NM	ASTM A276 316(L)
6	Valve head	ASTM A276 410	ASTM A564 630	ASTM A564 630
7	Bleeder screw	ASTM A276 410	ASTM A182 F6NM	ASTM A564 630
8	Gasket packing	Grafit / PTFE	Grafit / PTFE	Grafit / PTFE

- For other mediums, orders on material quality is based on temperature

# Chart of dimensions

## LM-1 type manometer needle valve



**PN 40 - 350**

DN	Connection	Ød (mm)	ØD (mm)	H (mm)	Øk (mm)
15	NPT 1/2" M 20x1,5	3	65	102	65