

LM-2 type manometer needle valve

Dimension range	DN 15
Pressure range	PN 40 - 350
Temperature range	- 60°C - +150°C

The LM-2 type manometer needle valve differs from the LM-1 type one only in the arrangement of the valve body connections.

Materials:

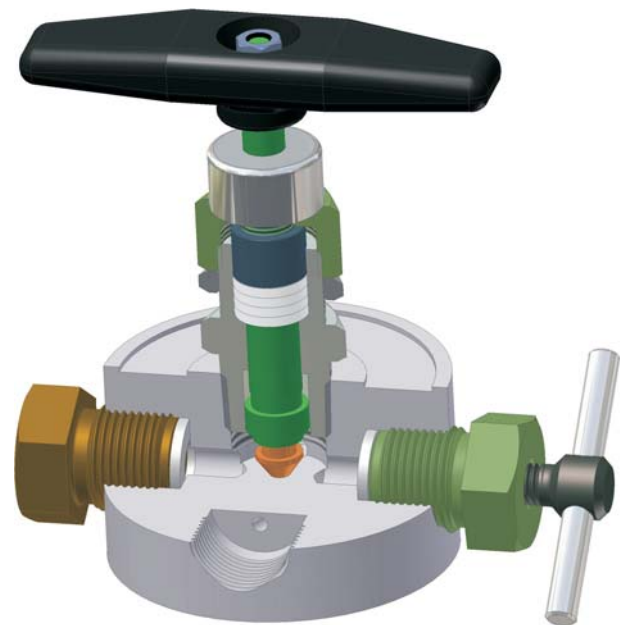
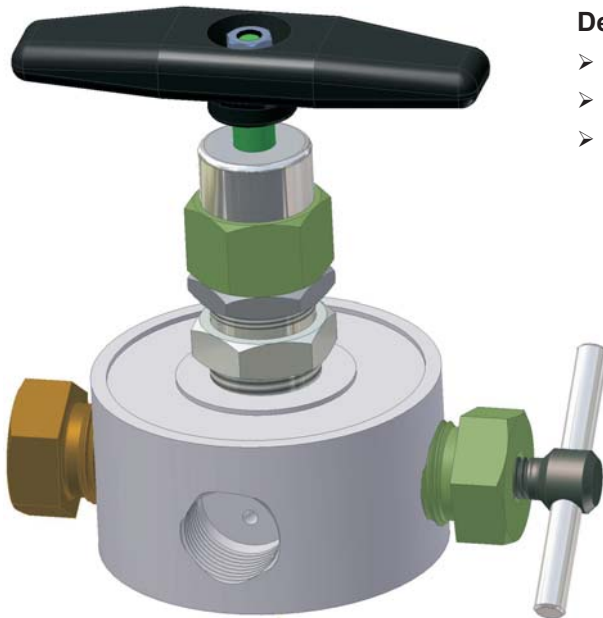
- ASTM A350 LF2
- ASTM A479 316(L)

Main features:

- Four-way valve body
- Went plug for body pressure relief
- NPT 1/2" or M20x1,5 connecting threads
- Self-centering tip, closing on conical surface
- Weld on valve seat

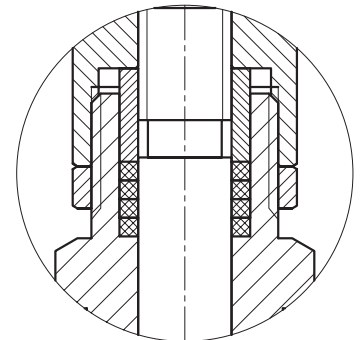
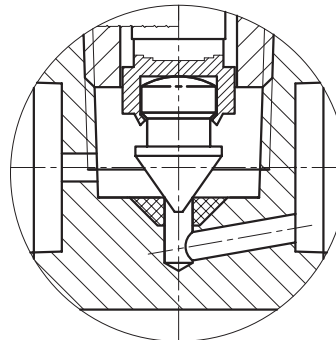
Design possibilities:

- Handlever design
- Handwheel design
- Connecting threads on customer demand



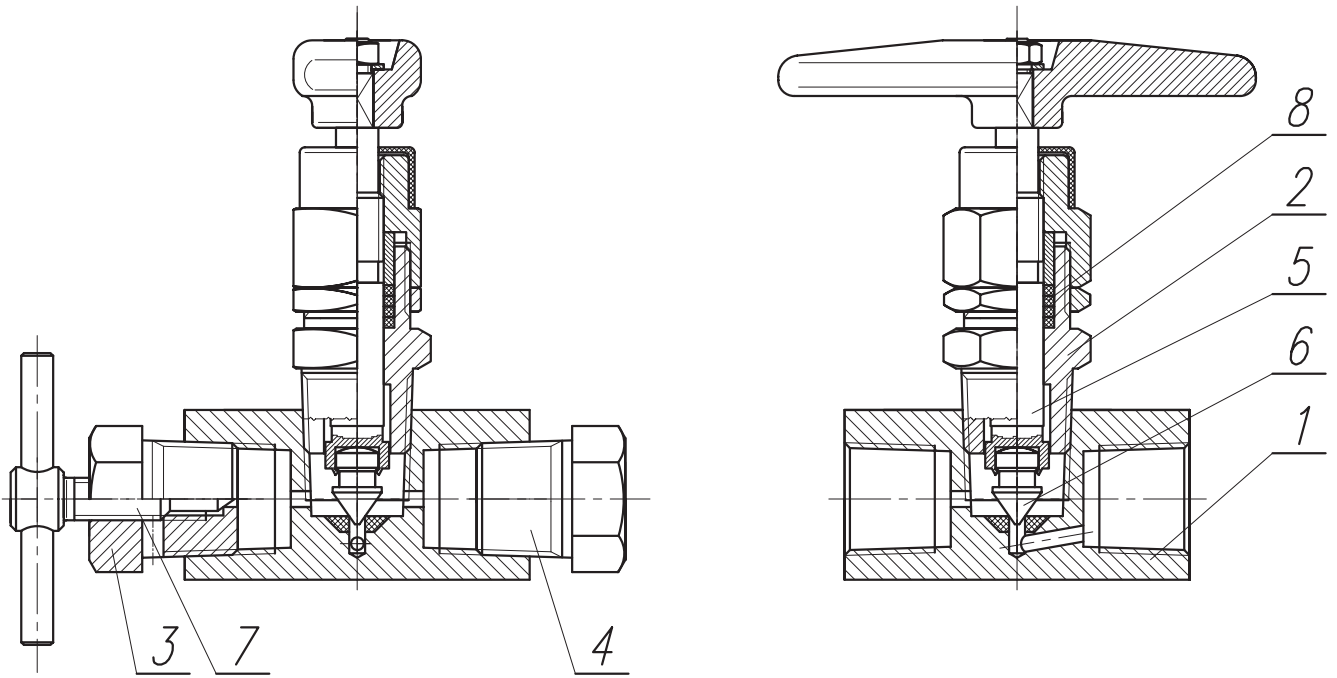
Design standards:

- Threaded type: ASME B1.20.1 NPT; ISO 965
- Pressure test: API 598; EN 12266-1
- NACE design: NACE MR0175 / ISO 15156



List of the main components

LM-2 type manometer needle valve



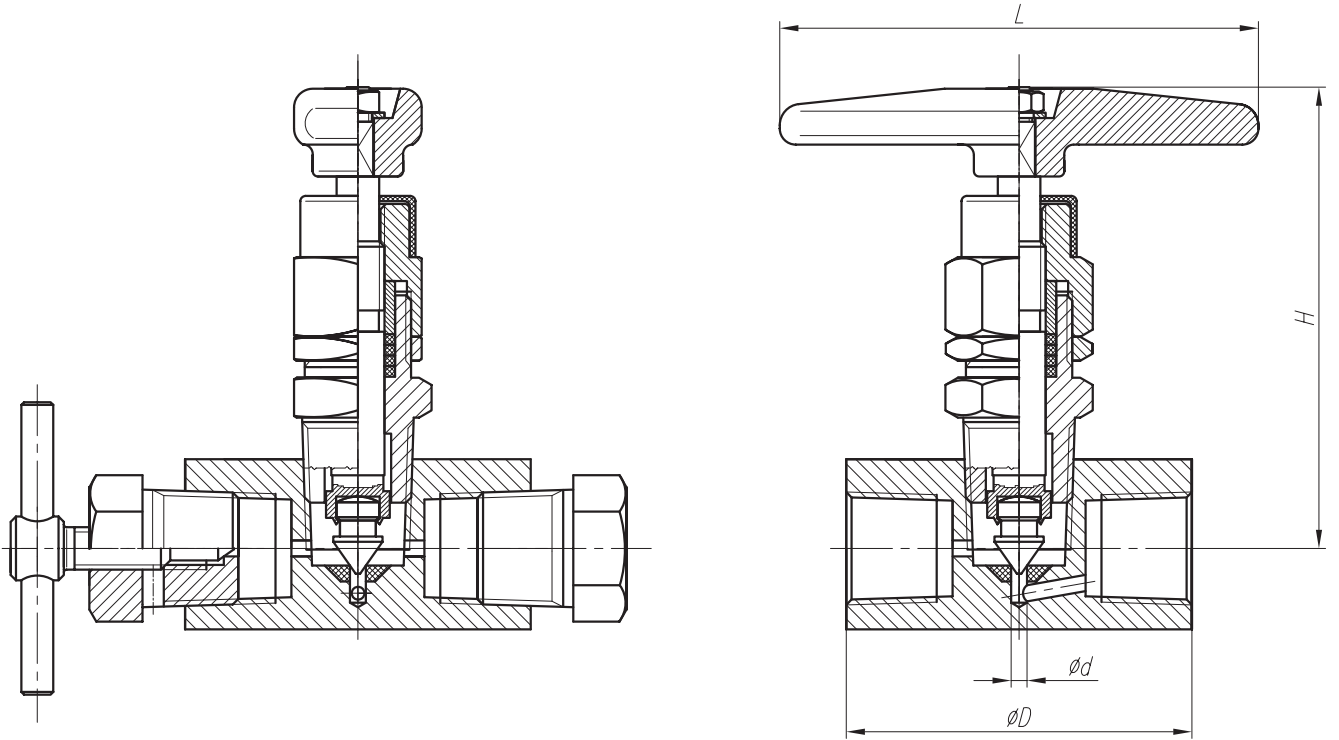
LM-2

N°	Description	Standard design	NACE design	Corrosion-resistant design
		T= -46°C ~ +150°C	T= -46°C ~ +150°C	T= -60°C ~ +150°C
1	Body	ASTM A350 LF2+13Cr	ASTM A350 LF2+13Cr	ASTM A479 316(L)
2	Gasket house	ASTM A350 LF2	ASTM A350 LF2	ASTM A479 316(L)
3	Bleeder body	ASTM A350 LF2	ASTM A350 LF2	ASTM A479 316(L)
4	Closing screw	ASTM A350 LF2	ASTM A350 LF2	ASTM A276 316(L)
5	Stem	ASTM A276 410	ASTM A182 F6NM	ASTM A276 316(L)
6	Valve head	ASTM A276 410	ASTM A564 630	ASTM A564 630
7	Bleeder screw	ASTM A276 410	ASTM A182 F6NM	ASTM A564 630
8	Gasket packing	Grafit / PTFE	Grafit / PTFE	Grafit / PTFE

- For other mediums, orders on material quality is based on temperature.

Chart of dimensions

LM-2 type manometer needle valve



PN 40 - 350

DN	Connection	Ød (mm)	ØD (mm)	H (mm)	L (mm)
15	NPT 1/2" M 20x1,5	3	65	90	90

LM-2